

»multifix« series

Proportional lubricators, oil can be filled under pressure.

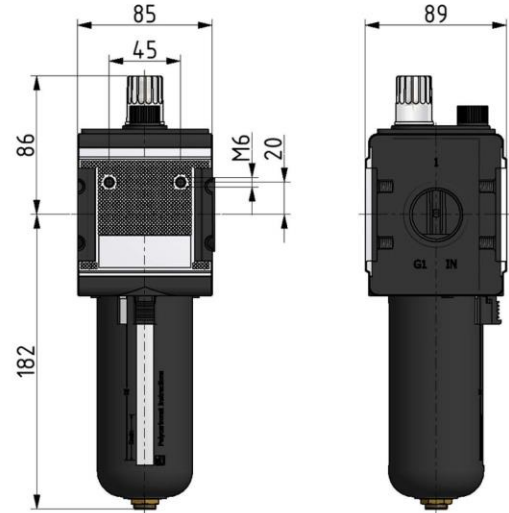
Max. medium temperature:	60 °C
Max. ambient temperature:	60 °C
Sealant:	NBR
Oil grade:	CL 32 acc. to DIN 51517-ISO VG 32
Flow rate measurement:	At $P_1 = 6$ bar and pressure drop $\Delta p = 1$ bar

Oil-mist lubricator with polycarbonate bowl and bowl guard, PA sight dome

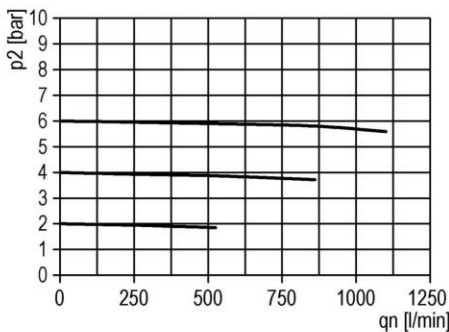
Art. No.	Type No.	Thread	Max. input pressure bar	Housing	Flow rate l/min	Size	DN
133119	L 44 S	G 3/4	16	Die-cast aluminium	14000	4	20

Accessories / spare parts

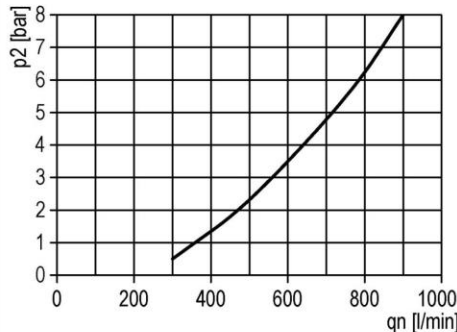
Art. No.	Type No.	Description
135858	ZW 45	Mounting bracket with 2 screws
135857	KP 45	Coupler pack for modular assembly of several devices
135863	KSS 45 NS	Polycarbonate bowl, without drain valve
135864	MS 45 NS	Metal bowl, without drain valve
100392	1233.7.990	Sight dome (polyamide PA)
100393	1233.7.909	Sight dome, metal



flow characteristic



lubricator operating limit



symbol

